

# 0-10V BLE Fixture-Integrated PIR Sensor Controller



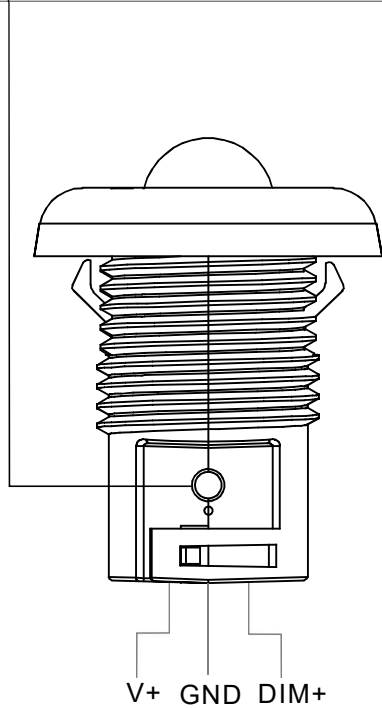
## Product Datasheet

Please read all instructions before installation



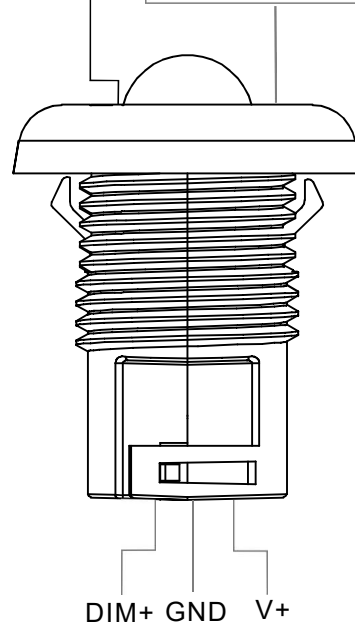
## Product info

**Reset Key:** Press it to help withdraw the device from internet/APP, LED flashes quickly indicates success.



**PIR Indicator:** Turns RED when movement has been detected.

**Light sensor:** Ambient light detection and daylight harvesting



### Note:

V+: Power supply

GND: Common port for V- & Dim-

DIM+: 0-10V signal port, represents 10V

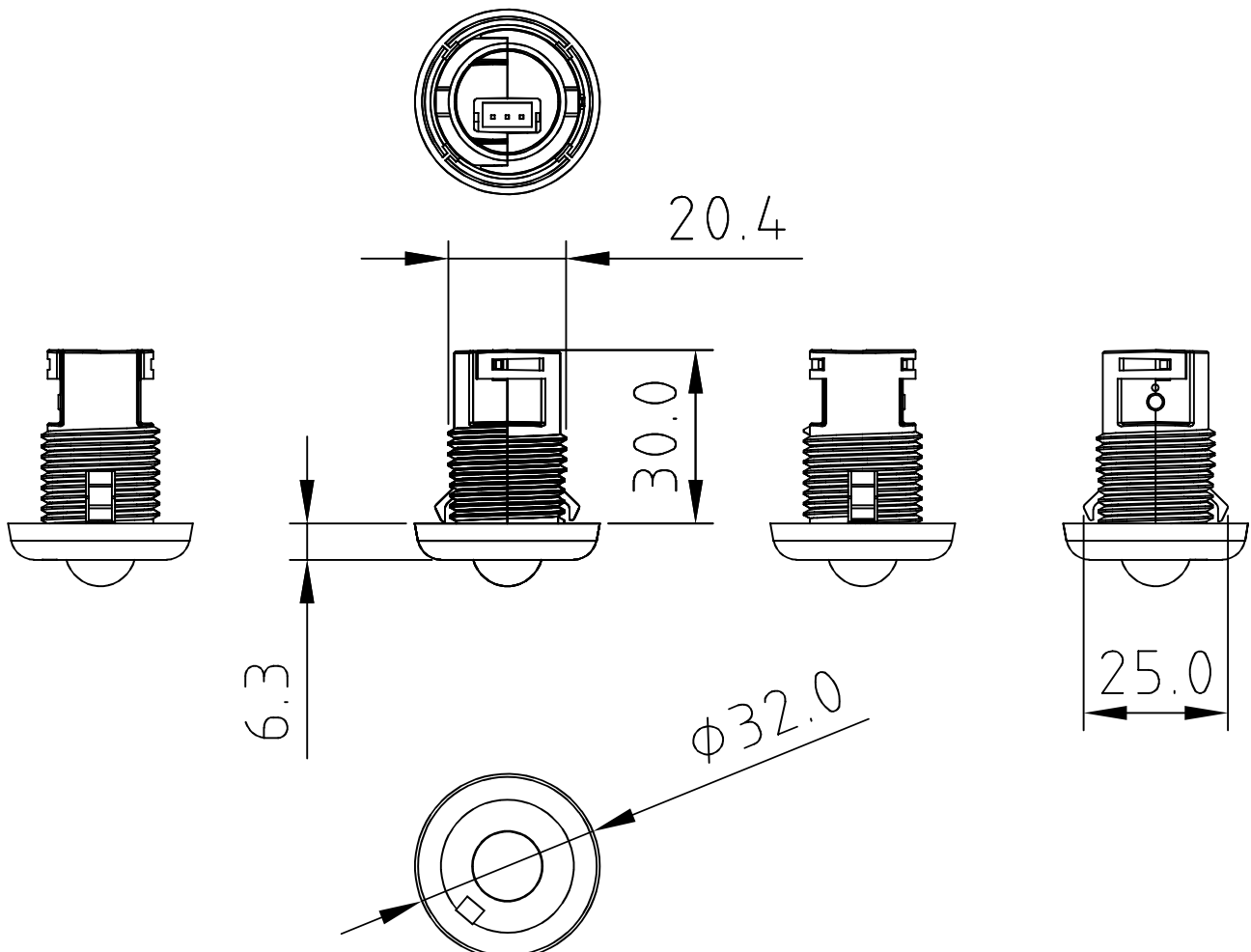
## Parameters

Input		Output, 0/1-10V	Control		Environment		Others
Power	Signal	Current	Dimming Curve	Dimming Method	Operating temperature	Relative humidity	Size
12-24VDC	Bluetooth	Max. 20mA	Logarithmic	PWM	0°C~+45°C	8% to 80%	See dimensions

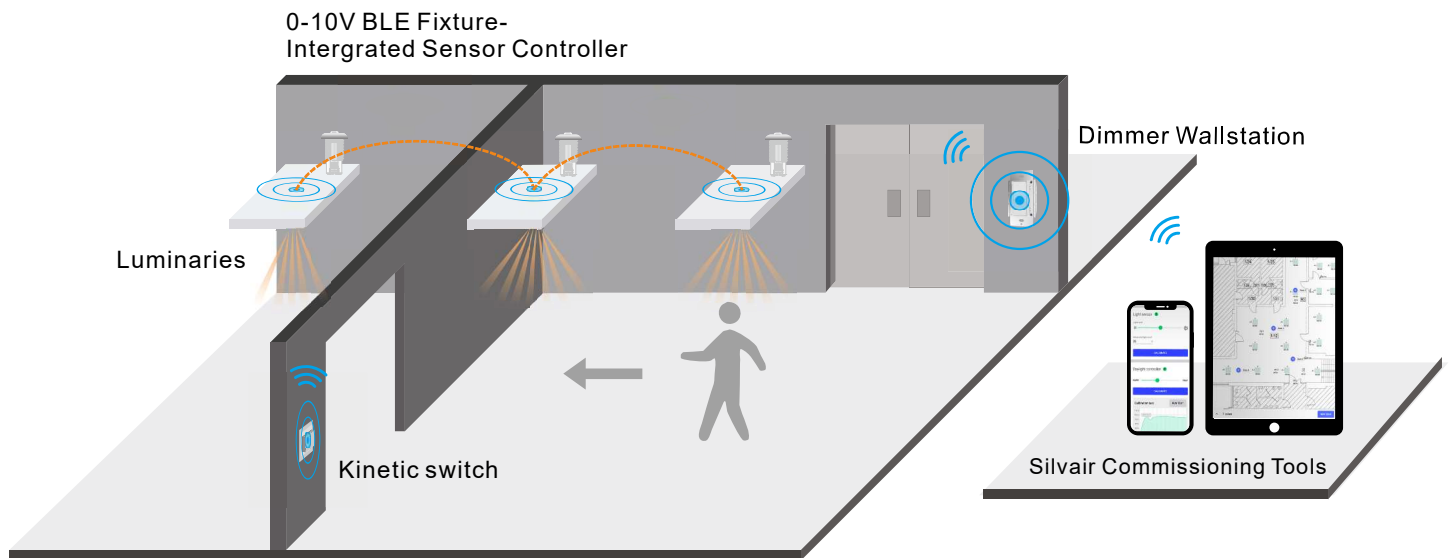
## Features

- Bluetooth to 0-10V signal PIR sensor controller,Bluetooth® mesh network
- Built-in 20mA 0-10V signal output
- Mesh network, which has a much longer control distance, transmits received signals to neighboring devices
- All devices on 0-10V line are broadcast controlled by mobile application
- Supporting our kinetic energy switches and EnOcean switches EWSSB and EWSDB
- In typical indoor environment, the typical range for wireless communication is 20m to 25m . Actual range is dependent on field installation.
- Standby power consumption less than 0.5W,meet latest ERP regulation
- Available with Magnetic reset (Touch the top part of sensor for 5 seconds)
- On-board antenna
- Waterproof grade: Ip20
- 5 years warranty

## Dimension



## Application



## Specifications

### ENERGY SAVINGS

- Low/High-end trimming
- Daylight harvesting
- Occupancy/Vacancy detection
- Auto and advanced demand response programs
- Time-of-Day dimming schedule
- Energy monitoring

### COMFORT & CONVENIENCE

- Advanced occupancy detections
- Light-level stability
- Configurable dim-and-linger occupancy
- Personalized setting profile
- Work with kinetic switch keypad and dimmer wallstation
- Multi-scenes control

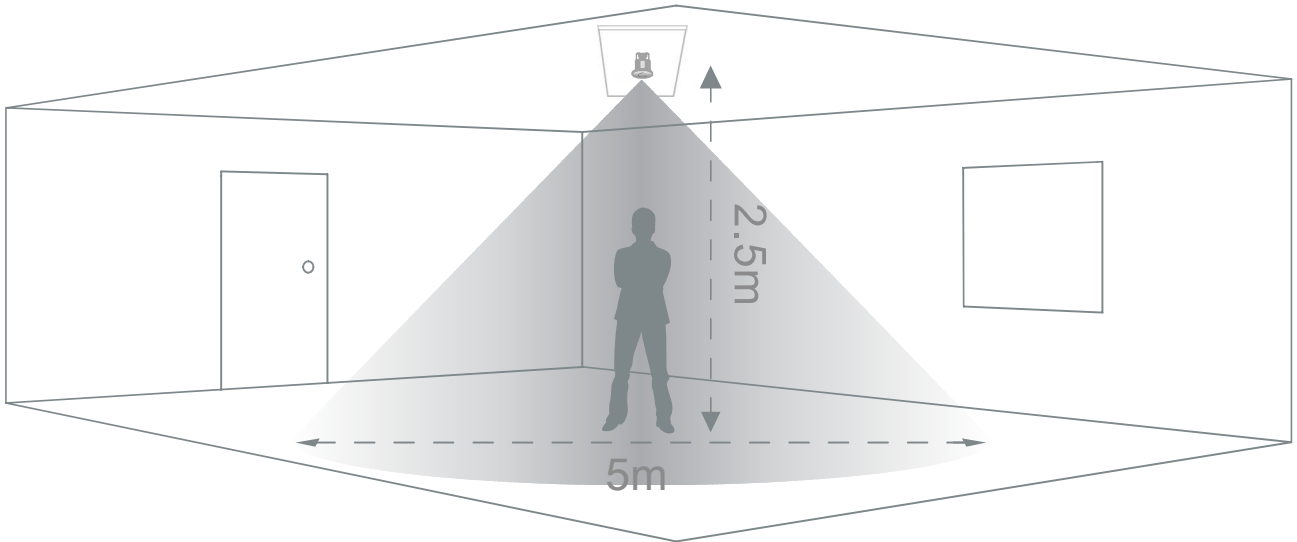
### SENSING

- Testing Data:
- Mounting height: 2.5m
- Detection area diameter: 5m@2.5m

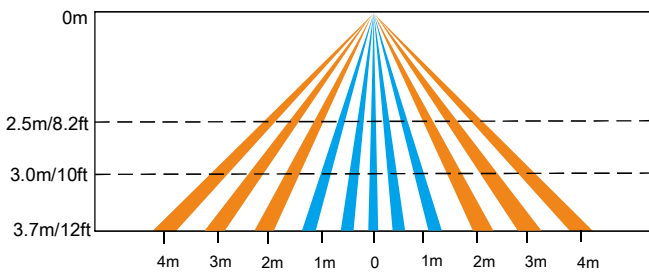
### ENVIRONMENT AND APPROBATION

- Operating temperature: 0°C to 45°C
- Agency approbations: CE/RoHS/UL Comming soon...
- Warranty: 5 years

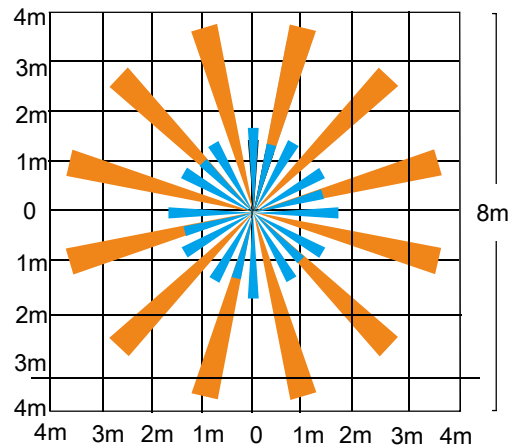
Detection Pattern



Coverage Side View



Coverage Top View



The detection area for movement sensor can be roughly divided into two parts:

- Slow movement (person moving  $< 1.0'/s$  or  $0.3m/s$ )
- Quick movement (person moving  $> 1.3'/s$  or  $0.4m/s$ )

## Warning

- DO NOT install with power applied to device
- DO NOT expose the device to moisture

## Operation

- Do wiring according to connection diagram
- Kindly refer to **Silvair commissioning User Manual** for further pairing
- Press and hold down the “Reset” button on the controller over 5 seconds until the indicator flashes , which means it has been reset.
- Available with Magnetic reset (Touch the top part of sensor for 5 seconds)

## Wiring

